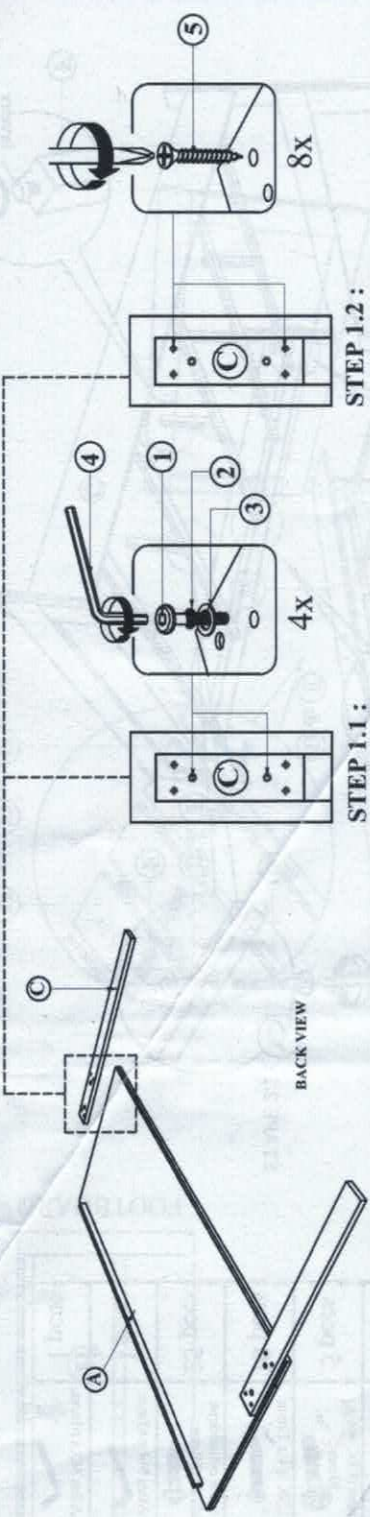


ASSEMBLY INSTRUCTIONS

STEP 1.1 : Attach Head Board Leg (C) to Head Board (A) as shown using JCBC BOLT(1) with Spring Washer (2), Flat washer (3) and securing with ALLEN KEY (4).

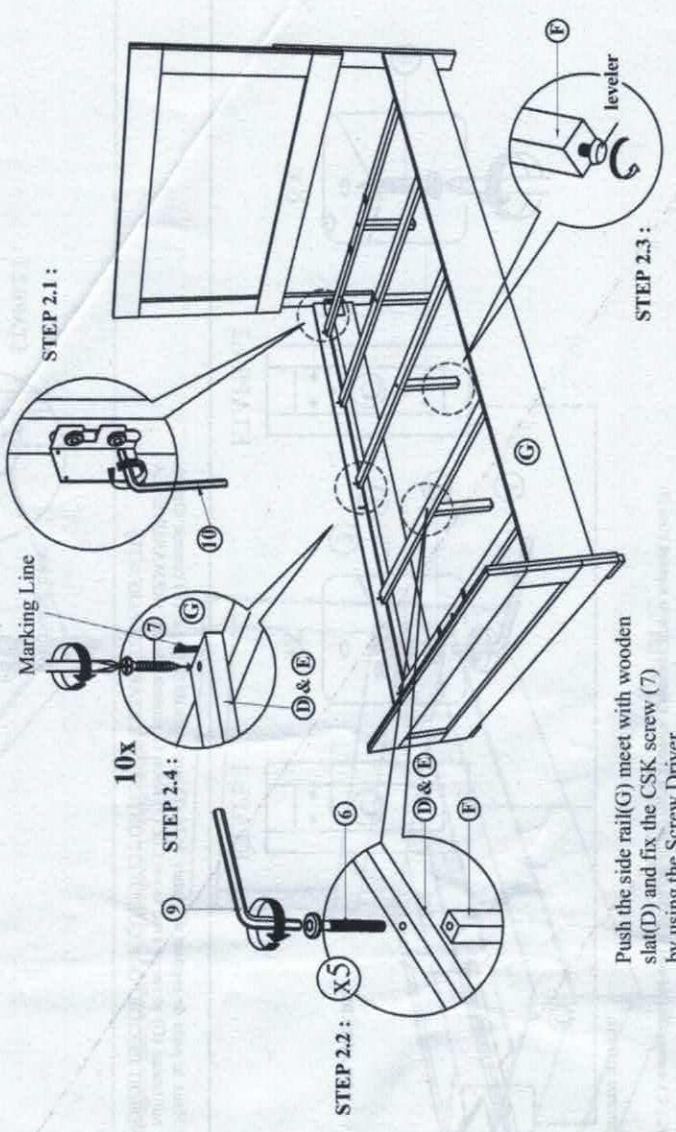
STEP 1.2 : Fix the other holes with Csk Screw (5) as shown.



STEP 1.1 :

STEP 1.2 :

STEP 2.1 : Tighten the 4 Corner with Allen Key (10) Fix the Bed Slat Support Leg (F), to Bed Slat (D)&(E) as shown. Install the bed slat (D)&(E) to side rail (G) and tighten with Csk Screw (7) as per diagram shown. (NOTE: THE SETUP MUST BE DONE AT THE DECIDED LOCATION FOR THE BED TO OBTAIN PERFECT STABILITY)



STEP 2.1 :

STEP 2.2 :

STEP 2.3 :

STEP 2.4 :

Push the side rail(G) meet with wooden slat(D) and fix the Csk screw (7) by using the Screw Driver.

MODEL : C8311A/C8321A/B81138A/B8337A QUEEN (5+5+5)	
(Box 1) BOX OF HEADBOARD & FOOTBOARD	
No	ITEM Qty
A	Headboard 1 pc
B	Footboard 1 pc
C	Headboard Leg 2 pcs
D	Bed Slats 3 pcs
E	Bed Slat With Marking 2 pcs
F	Bed Slats Support 5 pcs
G	Side Rail 2 pcs
H	Concealed Panel 5 pcs

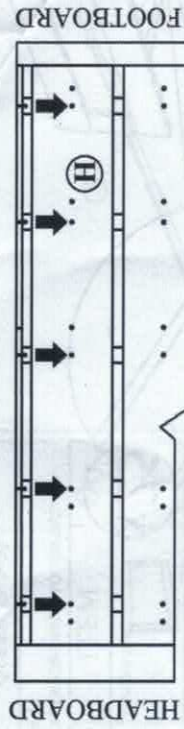
(Box 2) HARDWARE LIST	
No	ITEM Qty
1	JCBC M6 x 35mm 4 pcs
2	SPRING WASHER 1/4" Rhw 4 pcs
3	Flat Washer 1/4" ID x 13mm OD Bk 4 pcs
4	ALLEN KEY m4x65mm Bk 1 pc
5	Flat Head Chipboard Screw m4x32mm Rhw 8 pcs

(Box 2) HARDWARE LIST	
No	ITEM Qty
6	JCBC M6 x 50mm 5 pcs
7	Flat Head Chipboard Screw m4x32mm Rhw 10 pcs
8	Pen Head Chipboard Screw m3.5x20mm Bk 25 pcs
9	ALLEN KEY m4x65mm Bk 1 pc
10	ALLEN KEY m5x65mm Bk 1 pc

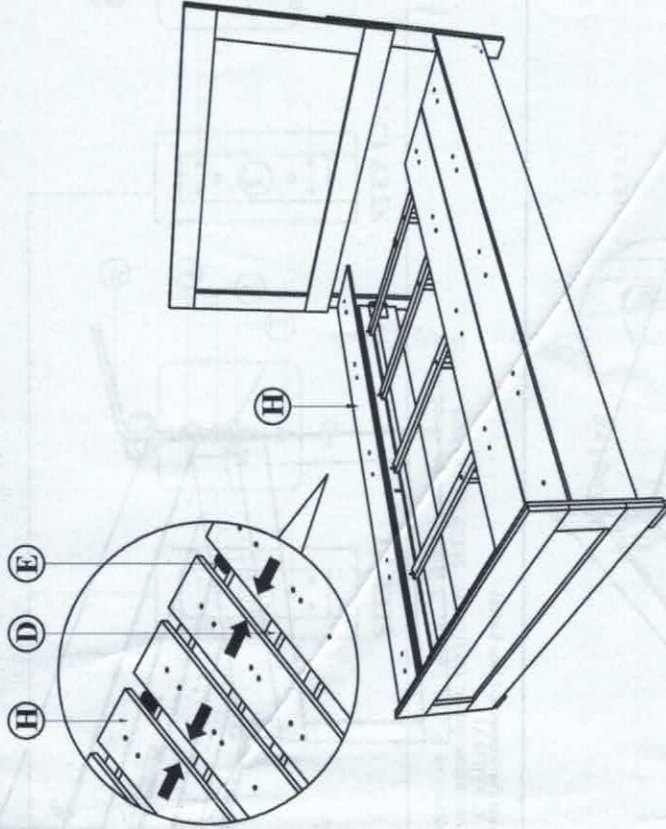
NOTE : MUST TIGHTEN SCREWS PERIODICALLY WITH USE SCREW WILL BECOME LOOSE CHECK TIGHTNESS OF ALL SCREW EVERY 6-8 WEEKS.

ASSEMBLY INSTRUCTIONS

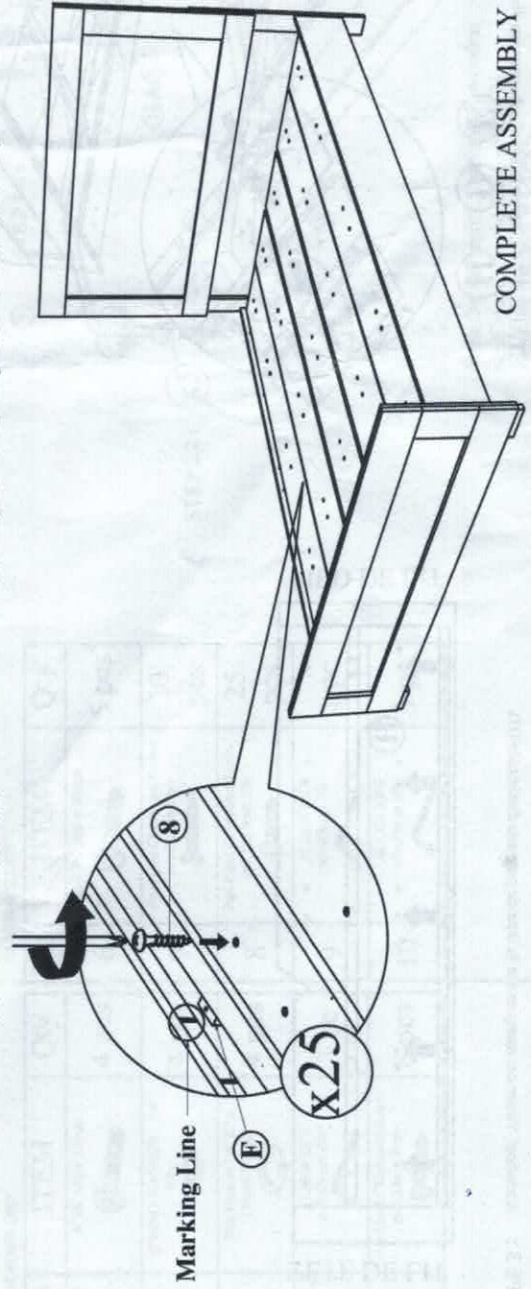
STEP 3 : Attention! Screw on this markings on concealed panel slat (H).



STEP 4 : Realign the Concealed Panel Slat (H) as shown.



STEP 5 : Attach Concealed Panel (H) over the Bed Slat (E) & (F) secure with Panhead Screw (8) and tighten them by using Screw Driver. (Not included)



COMPLETE ASSEMBLY

NOTE : MUST TIGHTEN SCREWS PERIODICALLY WITH USE SCREW WILL BECOME LOOSE CHECK TIGHTNESS OF ALL SCREW EVERY 6-8 WEEKS.